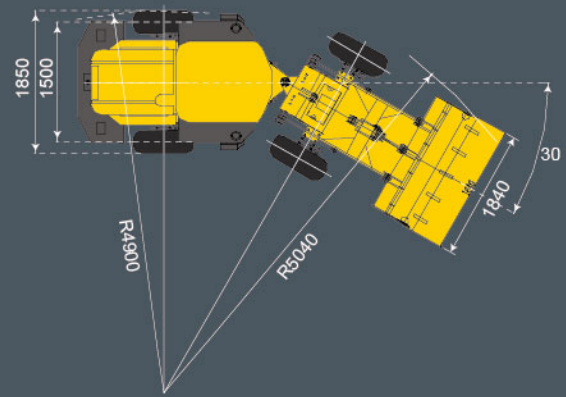
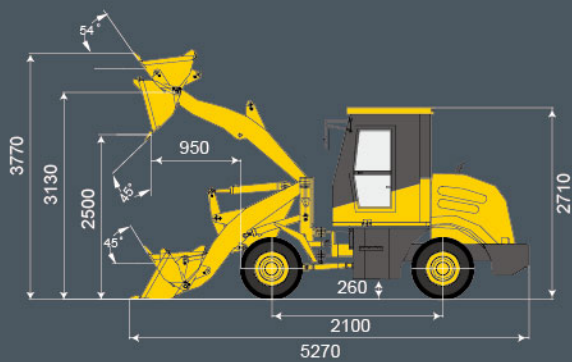




HL 915

*MANY CONDITIONS AND
COMPOUND WHEEL LOADER*

HELI
LIFTING THE FUTURE



ITEM	PARAMETER	UNIT	
Rated load	1500	kg	
Rated bucket capacity	0.7	m ³	
Dumping height(45°dumping angle)	2500	mm	
Dumping distance(45°dumping angle)	950	mm	
Max.breakout force	36.8	kN	
Max.traction force	15	kN	
Dimension(L*W*H)	5270x1840x2710	mm	
Operating weight	3500	kg	
Raise time(full load)	≤5.5	s	
Hydraulic time	≤9	s	
Steering angle	30°±1°	°	
Min.turning radius(Outside of wheel)	4900	mm	
Gradeability	30	°	
Wheelbase	2100	mm	
Wheel tread	1500	mm	
Travel speed	Forward (I / II gear)	8/16	km/h
Travel speed	Reverse	8/16	km/h
Engine Model	Xinchai A498BT1		
Rated power	37kw@2200r/min		
Tire size	12-16.5 (14-17.5)		

Standard configuration	Optional Configuration
Xinchai A498BT1 Diesel Engine	Commins B3.3-C60 Engine 1.0m3 Bucket
Automatic transmission with torque converter	Changchai 4L68 Engine Flexible cable control for hydraulic system
Driving axle with disc brake	Air conditioner
Quick Coupler	
Pilot control for hydraulic system (Joystick)	

- For staying ahead of competitions by constant upgrading of machinery and technology,
- HELI have the rights to update details of specifications and design before inform end users.

ANHUI HELI CO., LTD.

ADD: No.668 Fang Xing Street, Hefei, Anhui, China
 TEL: (0086) 551-63639531
 FAX: (0086) 551-63639966

E-MAIL: heli@helichina.net
 WEBSITE: www.heliloader.com

© 2016 heli copyright
 Catalog No.2016-04-C HELI Print